

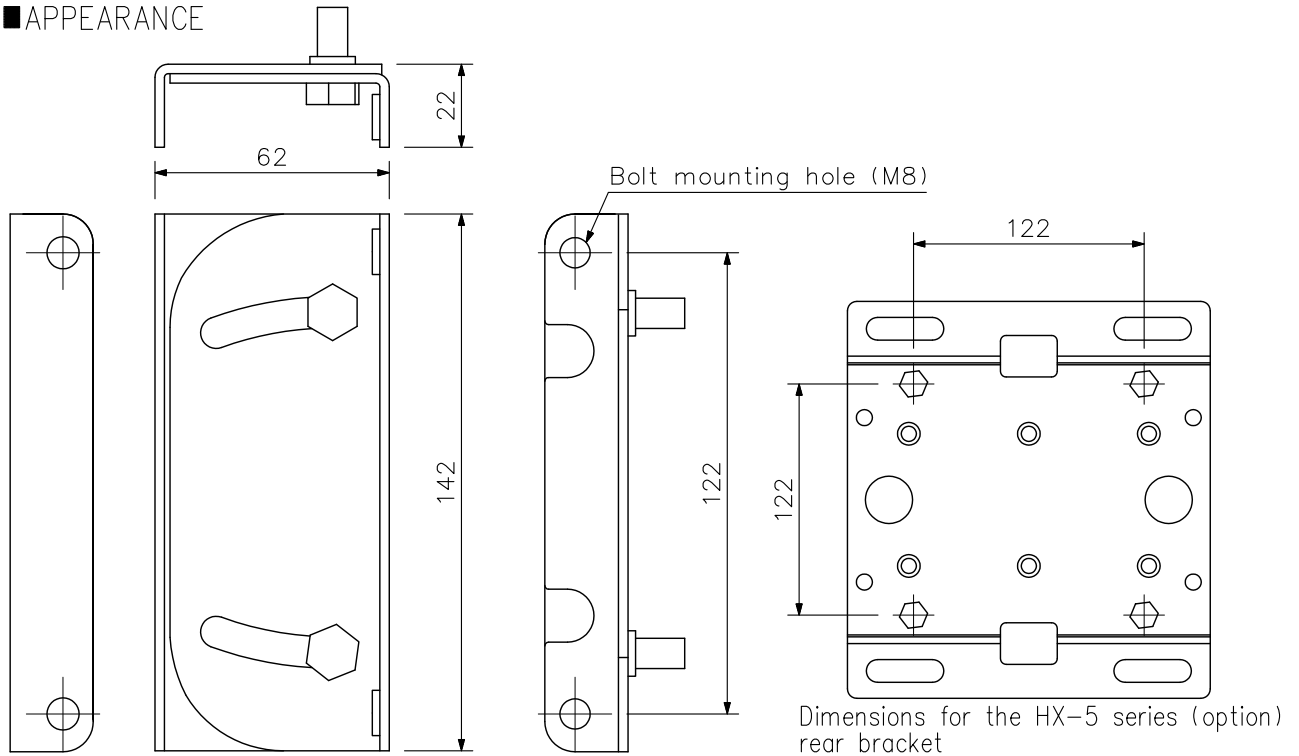
DESCRIPTION

The HY-WM1W is used exclusively to mount the HX-5 series speaker system to a wall or ceiling. This bracket permits the speaker to be tilted downward up to 20° from the horizontal when the speaker is mounted on a wall, or tilted up to 20° from the vertical when the speaker is mounted on a ceiling. This bracket is designed for indoor use.

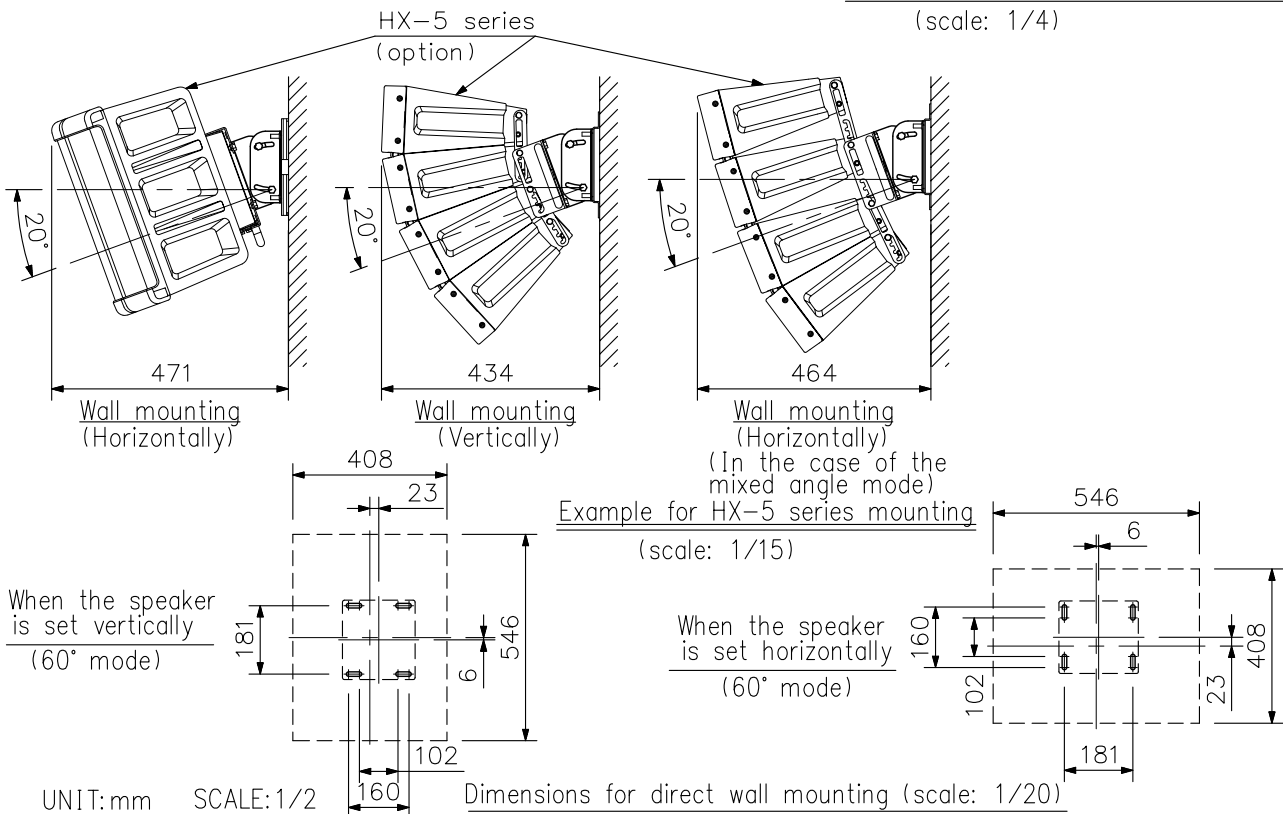
SPECIFICATIONS

Finish	Steel plate, white, semi-gloss paint
Dimensions	62 (W) × 142 (H) × 22 (D) mm
Weight	750 g
Accessory	Speaker mounting bolt (M8) with washer ×4
Product Composition	Speaker mounting bracket ×2

APPEARANCE



Dimensions for the HX-5 series (option) rear bracket (scale: 1/4)



Dimensions for direct wall mounting (scale: 1/20)

UNIT:mm SCALE:1/2